

REF. NO.

103 149

REF. NO.

5725.2

DESCRIPTION

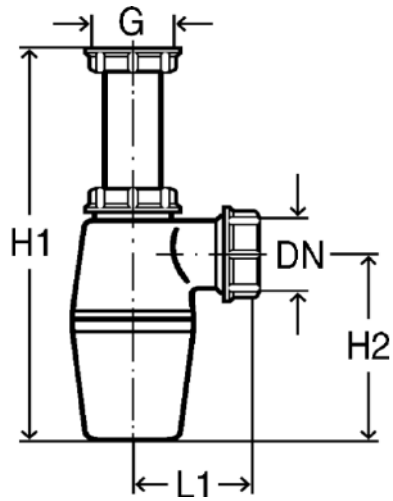
Bottle trap for kitchen sinks
without drain pipe and
rosette, Ø 50 mm cup

SIZE

1 1/2

FINISH

PP



G	DN	L1	H1	H2
1 1/2	40	45	160-225	105