

www.hueppe.com

**MODEL**

X1

**REF. NO.**

SQUARE 900

**DESCRIPTION**

Square corner entry sliding shower enclosure

**SIZE**

900 x 900 x 1900 mm

**GLASS THICKNESS**

6 mm Clear Tempered - Door

4 mm Clear Tempered - Panel

**PROFILE COLOR**

High-gloss Silver



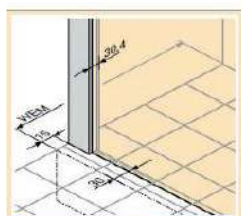
Door handle



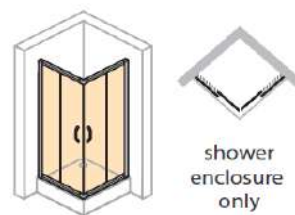
Easy-entry roller



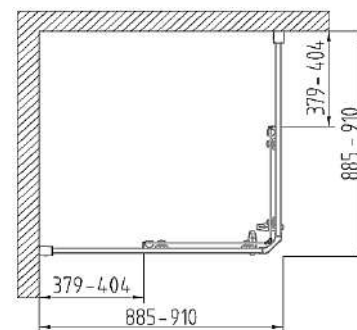
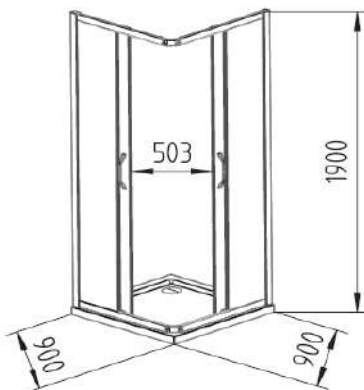
Corner connector



Floor-flush installation  
WEM = Tray installation dim.



shower enclosure only



Adjustment range for compensating uneven walls : -15/+10 mm

Setback : 15 mm