

www.axaone.it

MODEL

Glomp

REF. NO.

0201409

DESCRIPTION

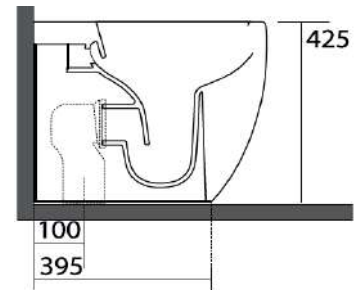
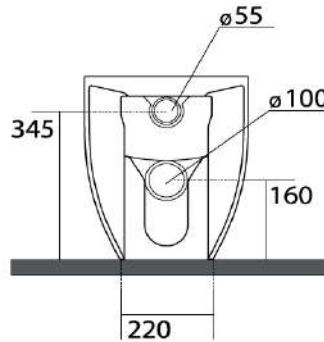
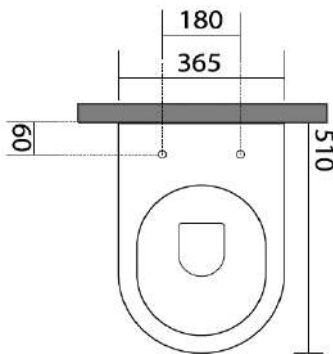
Washdown WC, floor standing
back-to-wall, NO RIM
horizontal or vertical outlet,
Ref. 0201409

Seat and cover (stim),
soft-close with quick-
release metal hinges

Ref. 319109

FINISH

Matt Grey



To be supplied with :



Technical curve
Ref. AF0002



Horizontal fastenings
Ref. FI010

