



www.keramag.de

MODEL

Reflex

REFERENCE NO.

200712

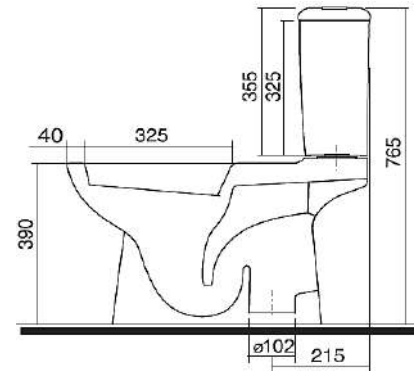
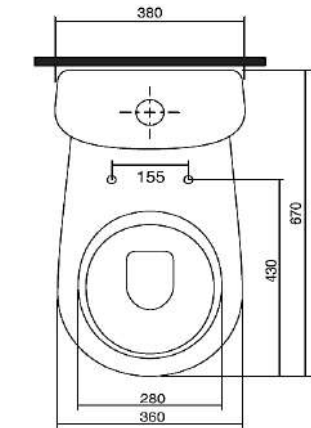
DESCRIPTION

Washdown WC, floorstanding

including ceramic cistern,
internal vertical outlet
bottom water supply,
dual flush 3/6 l, chrome
plated push button
Ref. No. 200712

FINISH

White



www.mkw.at

MODEL

Twist

MODEL

Twist-AMS

DESCRIPTION

Toilet seat & cover with
soft-close adjustable
quick release push-button
stainless steel hinges

Weight : 2.58 kg

Load : up to 180 kg

Buffer : 4 on seat and 2 on cover

FINISH / MATERIAL

Toilet seat & cover made of Duraplast

Color - White

Buffer - made of TPE

(thermoplastic Elastomer)

