

Toilet Seat & Cover not included

**MODEL**

Varius

**REF. NO.**

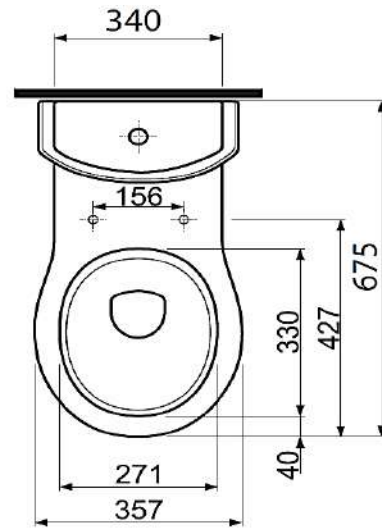
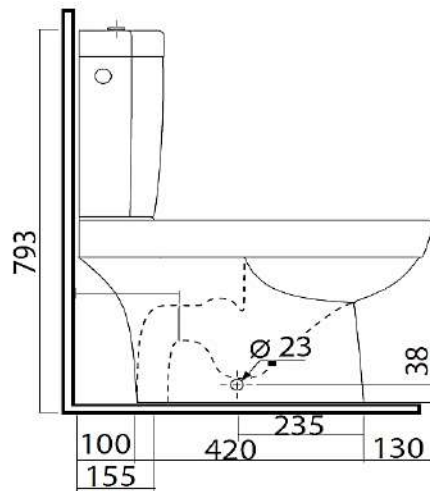
K39001

**DESCRIPTION**

Wash-down WC,  
 floor standing  
 including ceramic cistern,  
 internal vertical outlet  
 bottom water supply  
 dual flush 3/6 l  
 chrome plated push button

**FINISH**

White



Recommended PRIMO  
 Toilet Seat & Cover :

Seat & cover w/ metal  
 hinges  
 Ref. No. K30111

