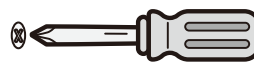
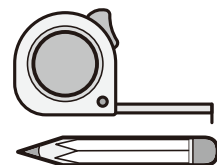
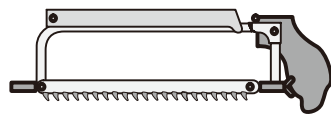
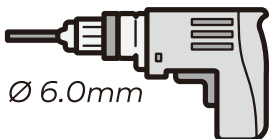
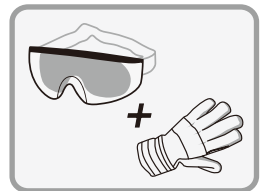
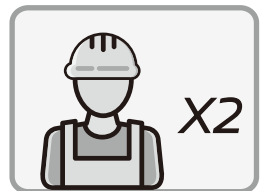
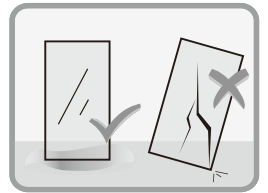
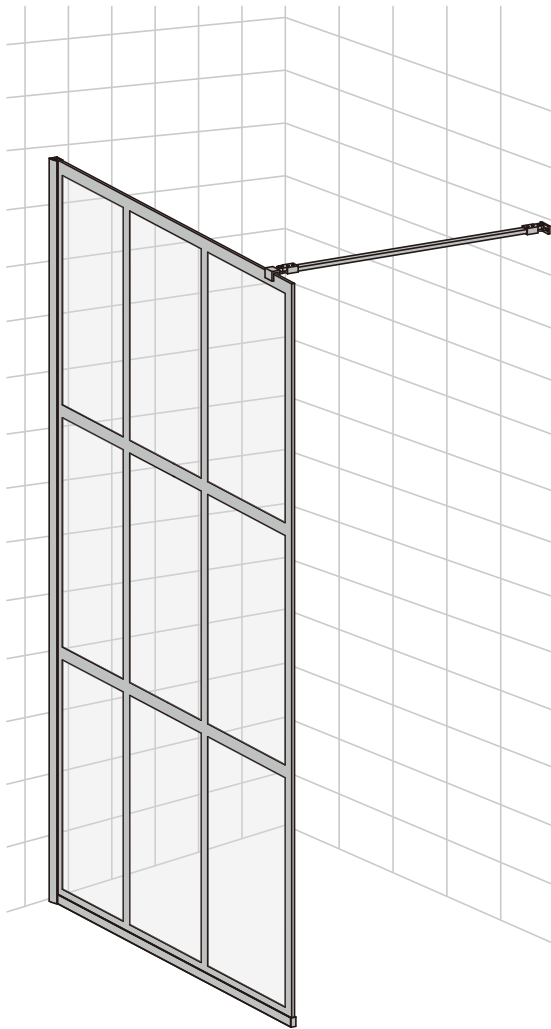
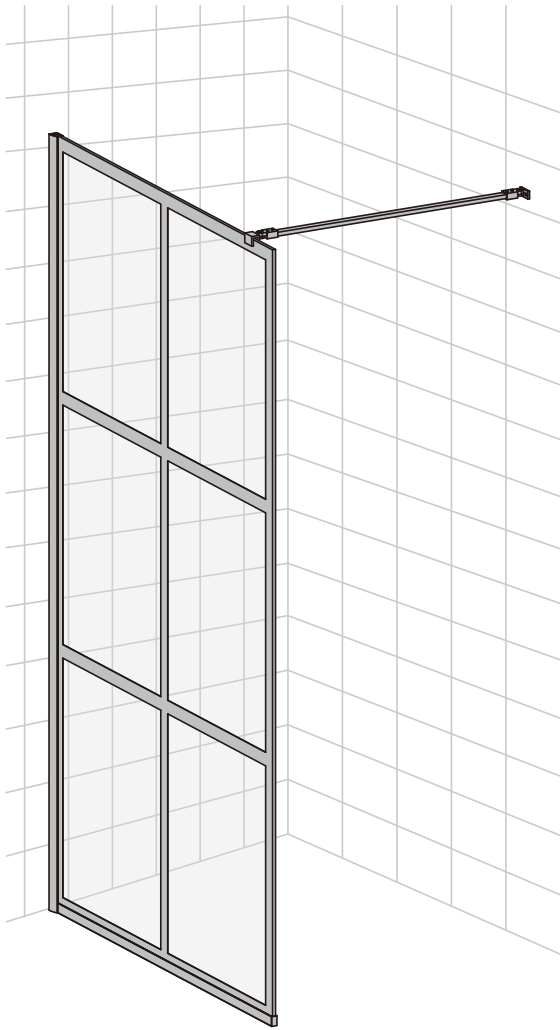
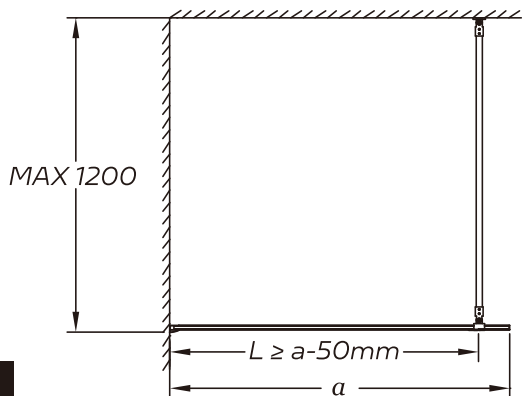


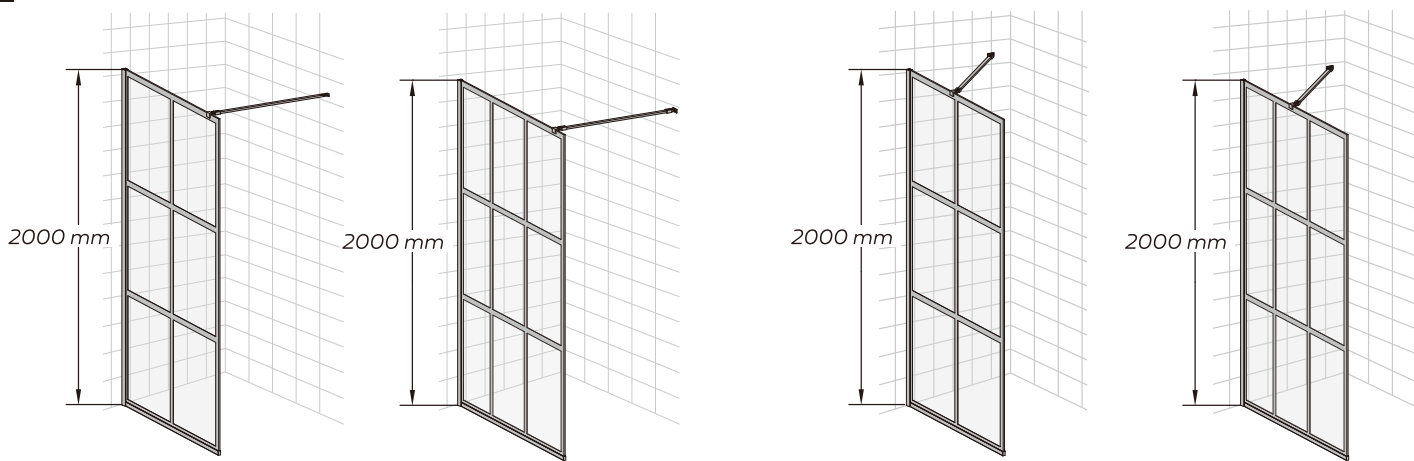
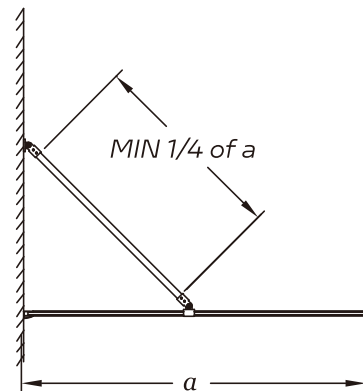
# Shower Wall 95 /110 /125 /140

---





Model	a (mm)
95	950
110	1100
125	1250
140	1400



**b**

X1

**c**

X1

**d**

X1

**e**

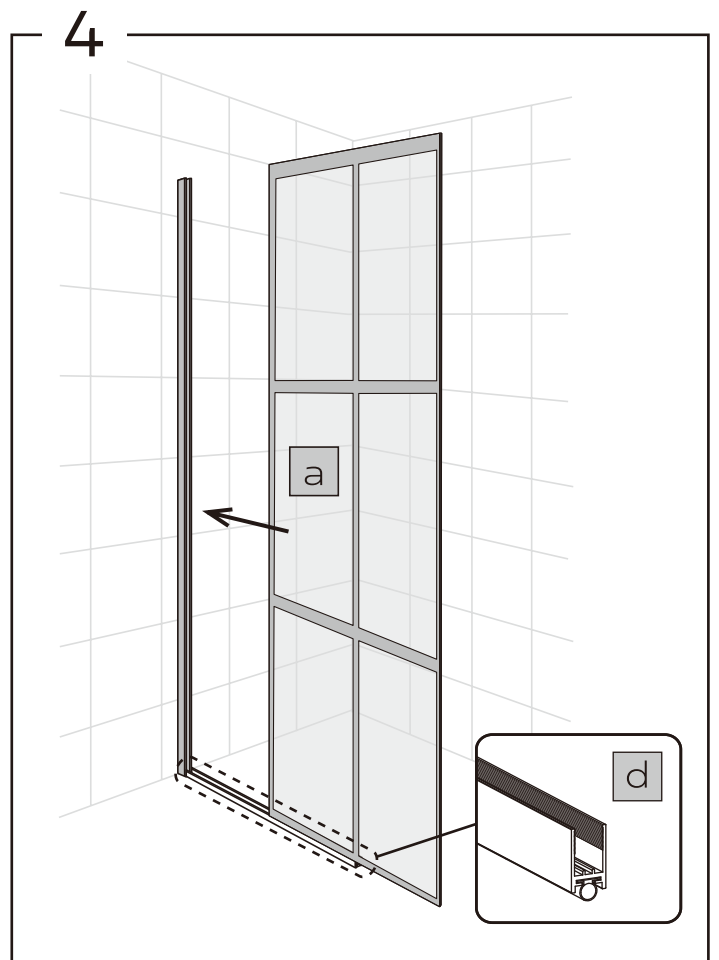
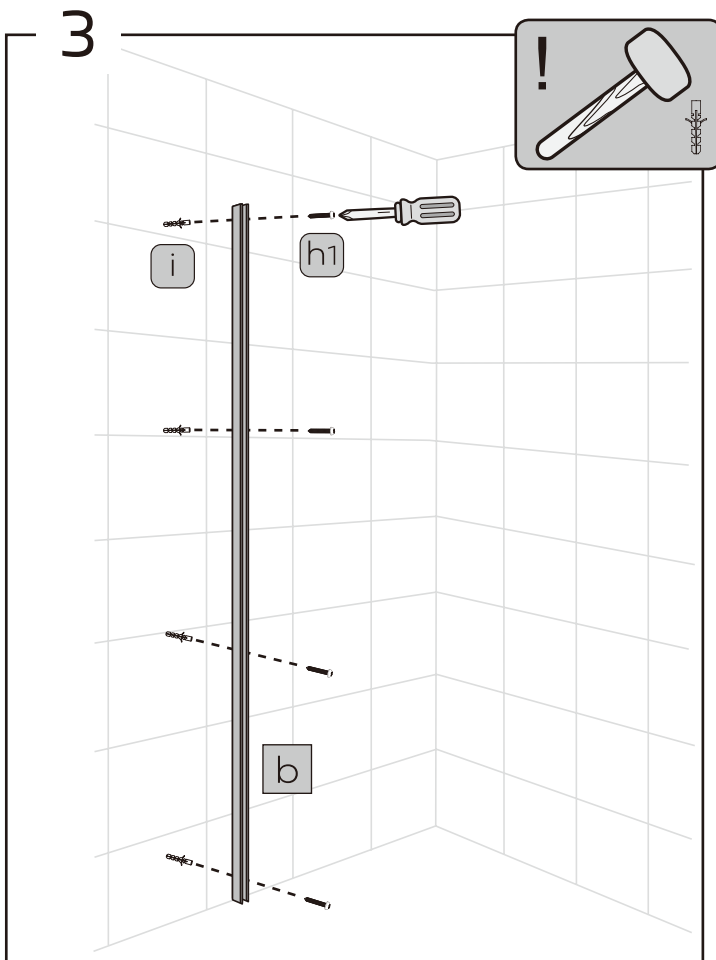
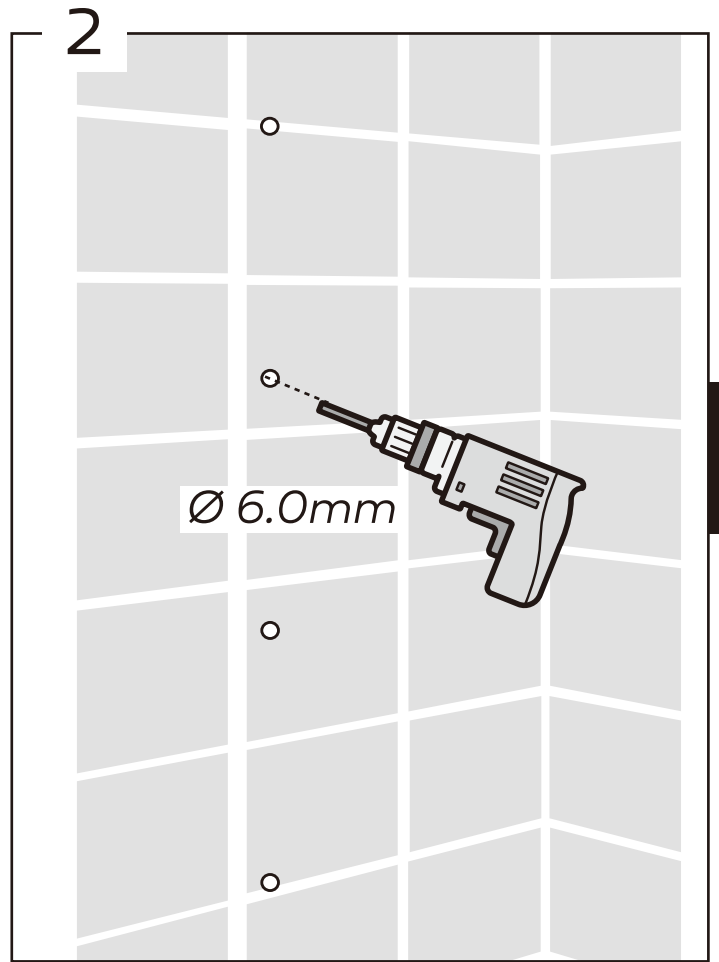
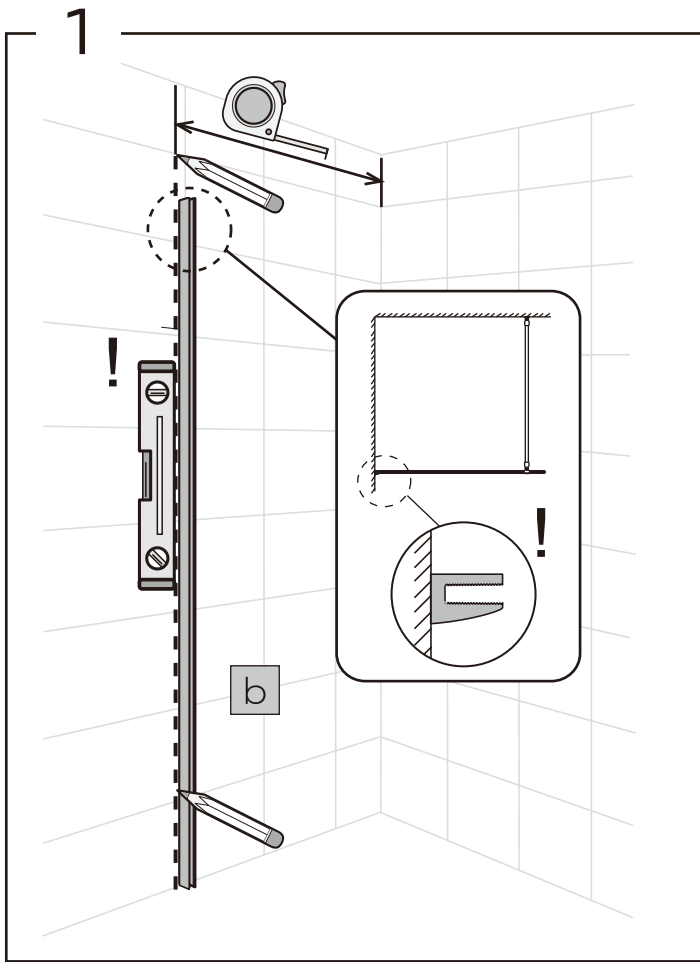
X1

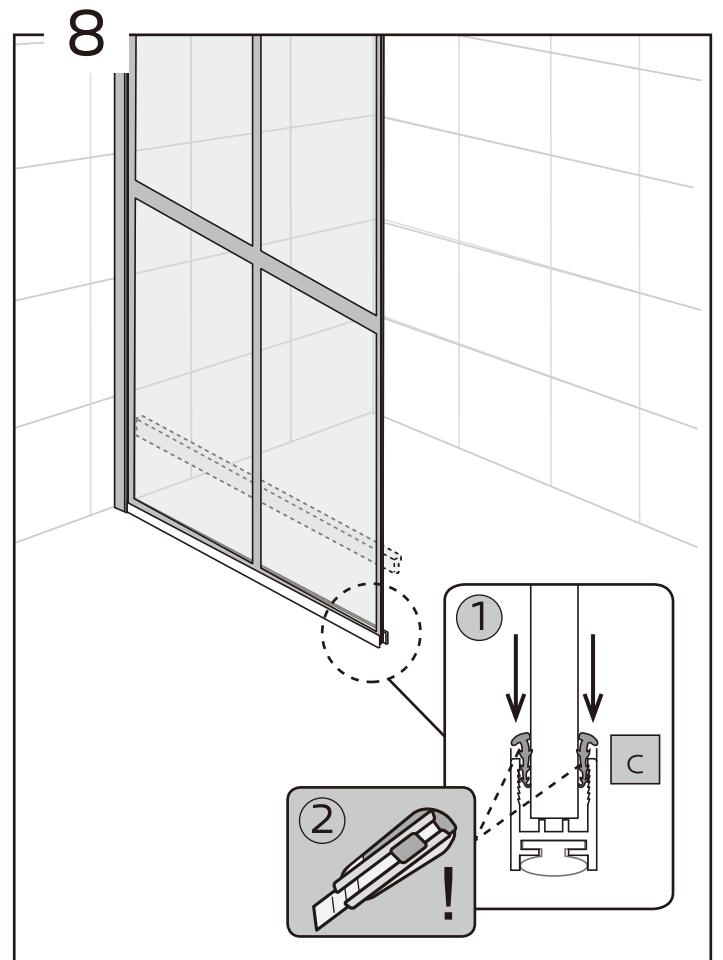
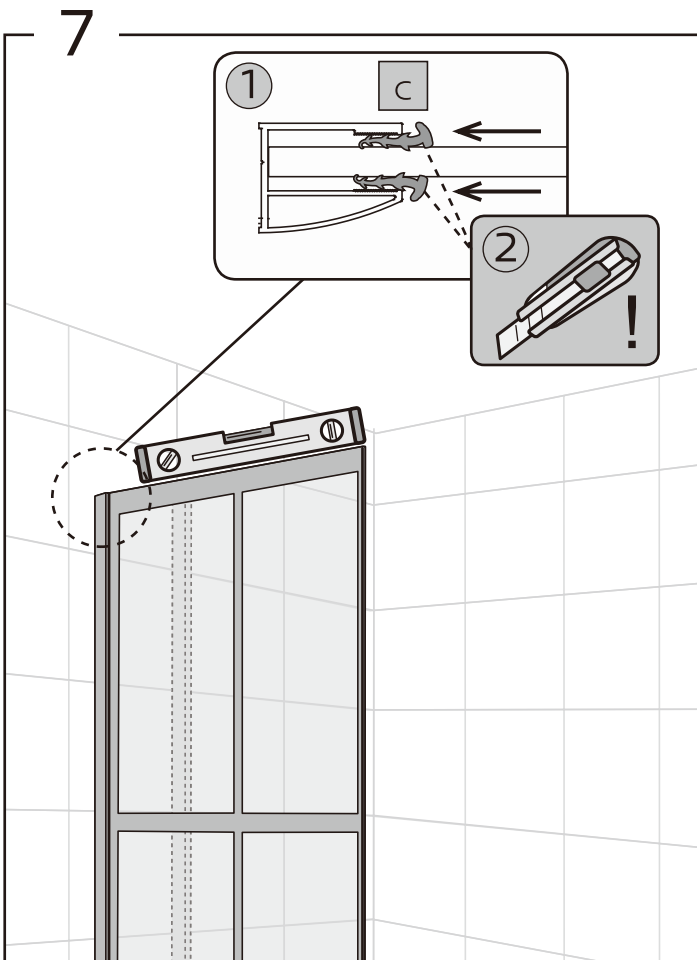
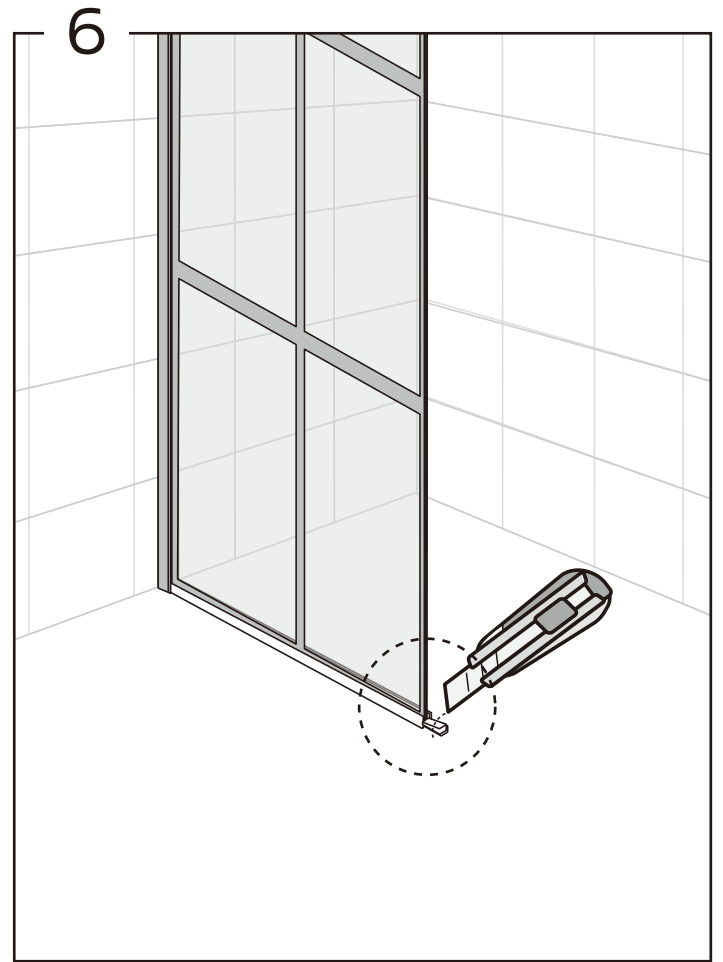
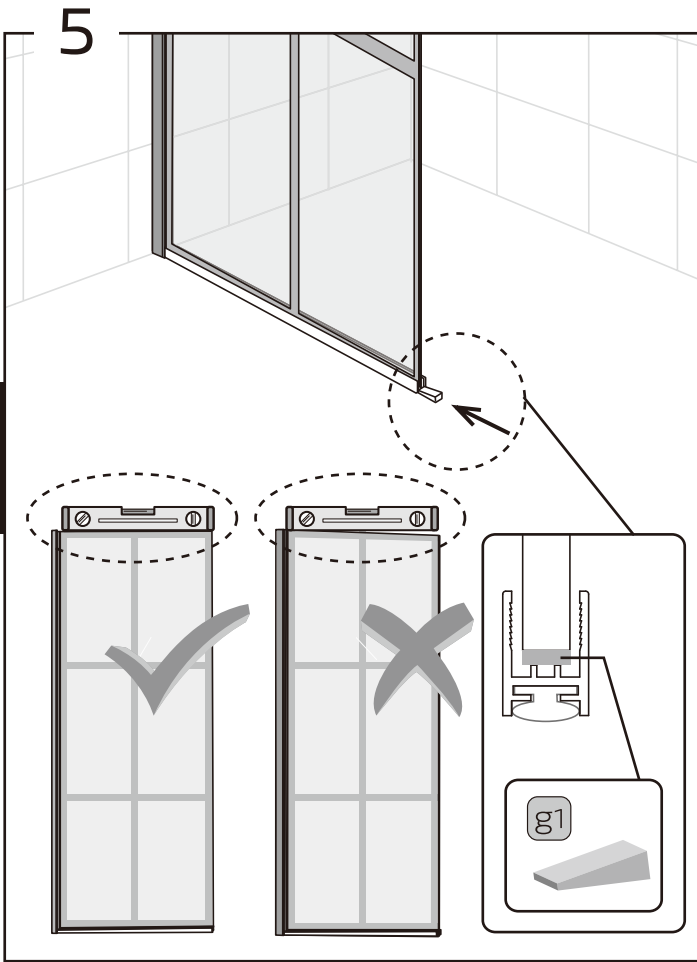
**a**

X1

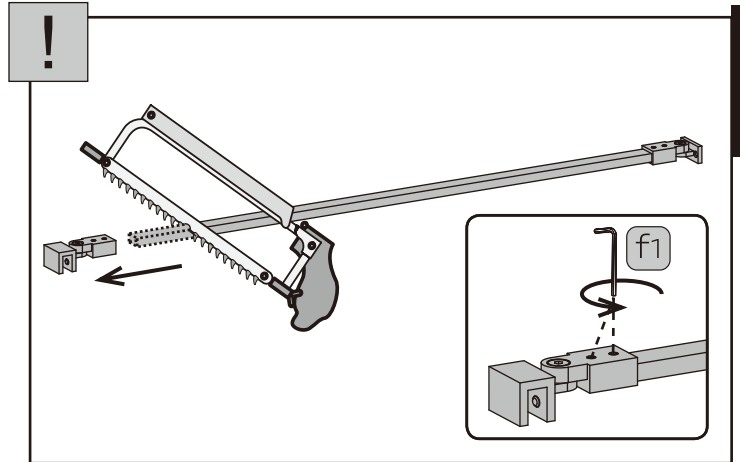
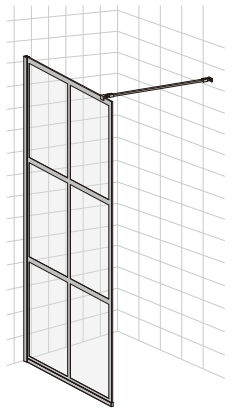
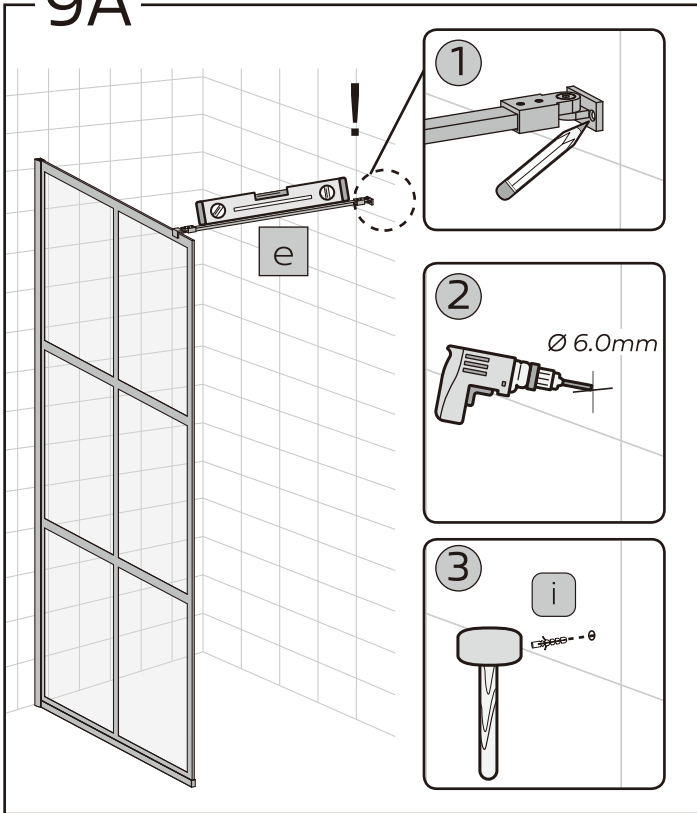
**!**

<p><b>f1</b>  N3 X1</p> <p><b>f2</b>  N4 X1</p>	<p><b>g1</b>  X1</p> <p><b>g2</b>  X1</p>
<p><b>h1</b>  ST4x35mm X4</p> <p><b>h2</b>  ST4x35mm X2</p>	<p><b>i</b>  X6</p>



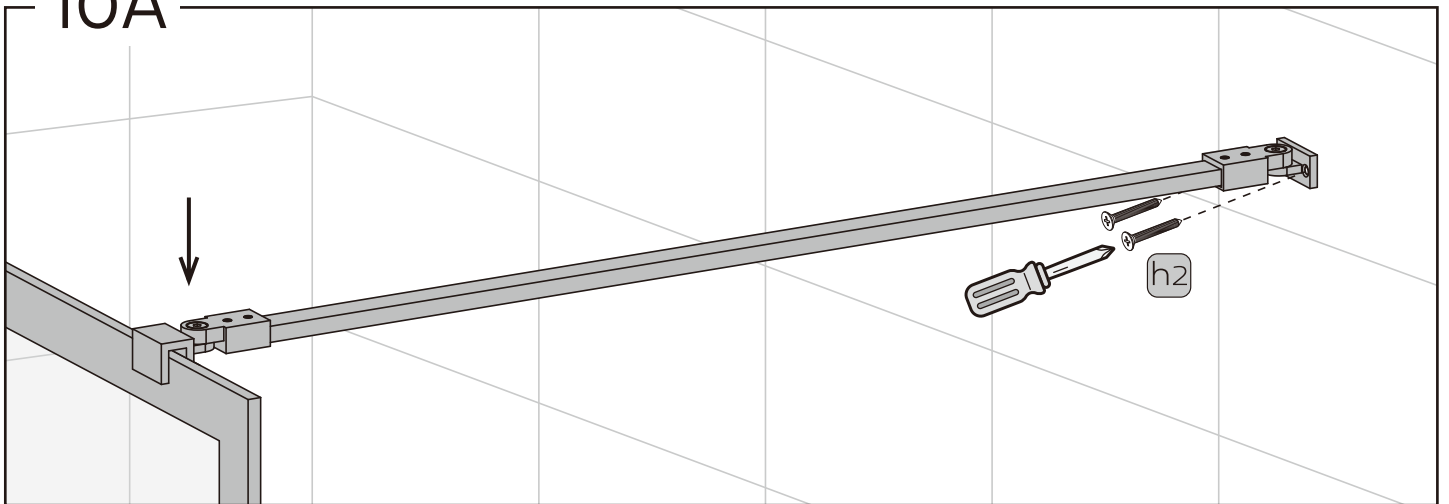


9A

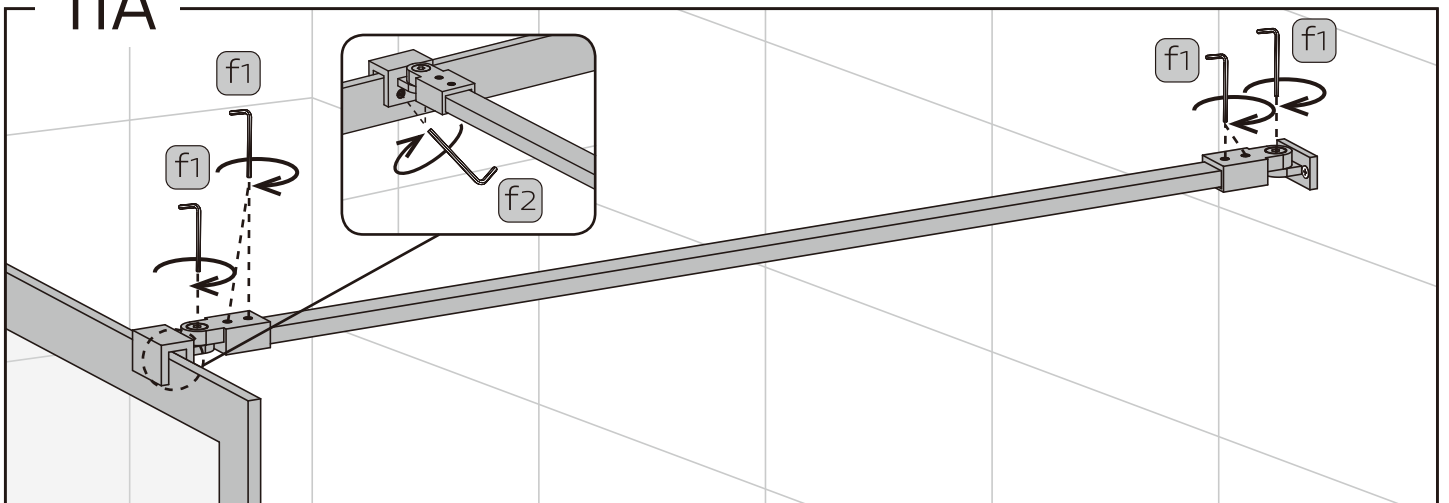


5(8)

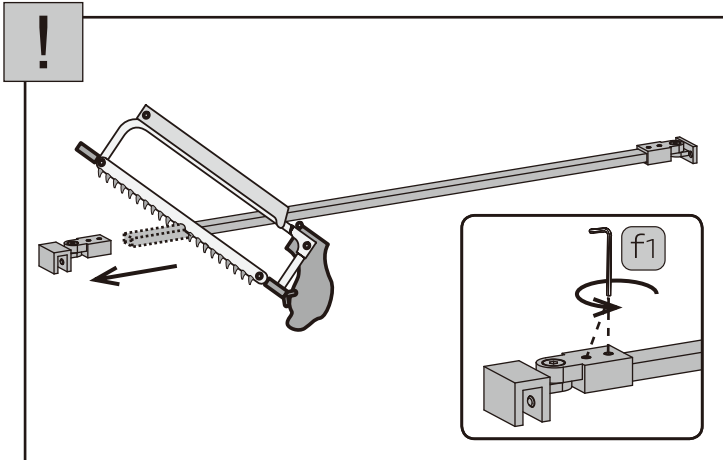
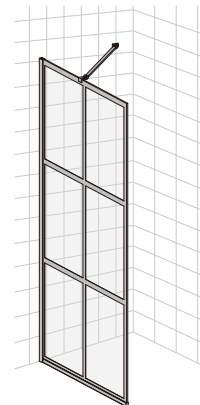
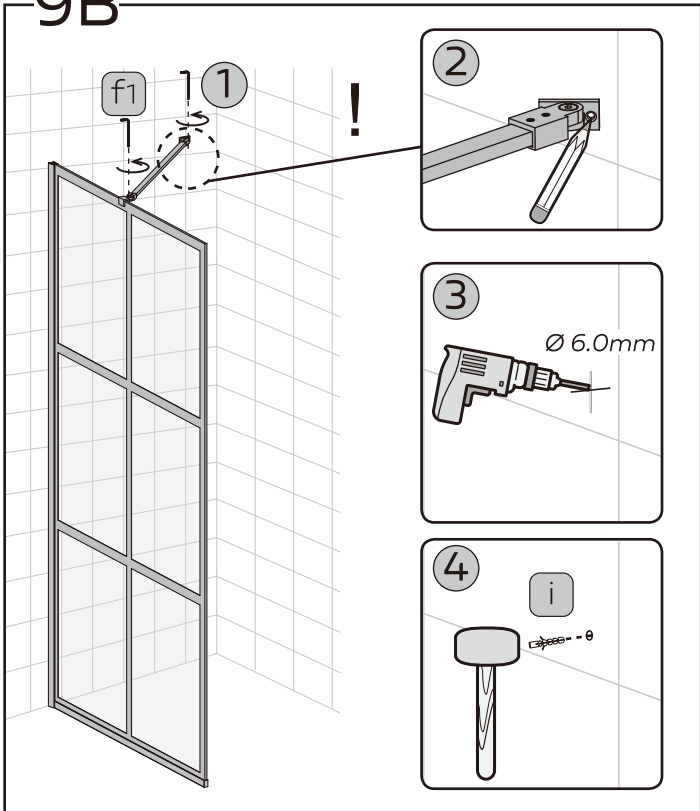
10A



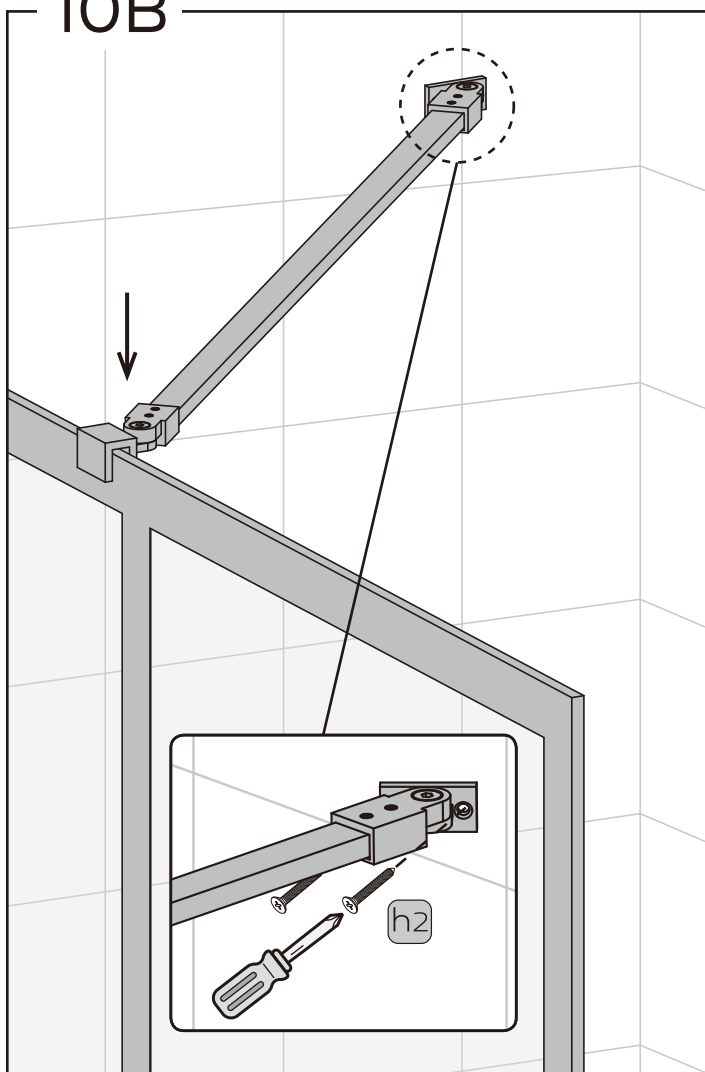
11A



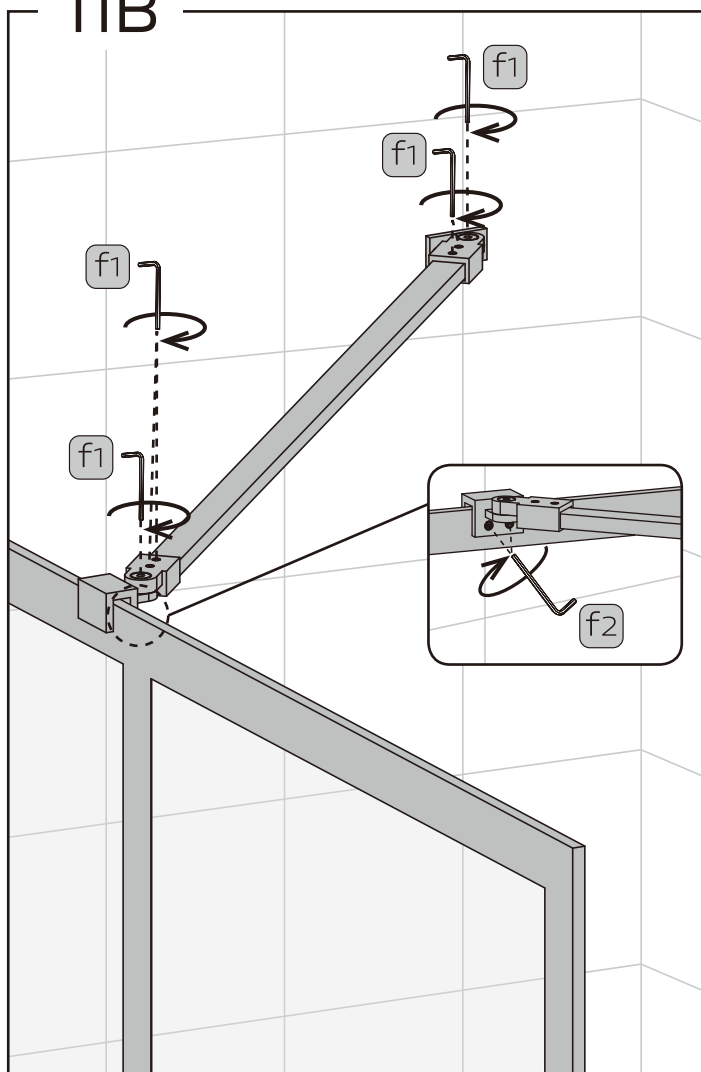
# 9B



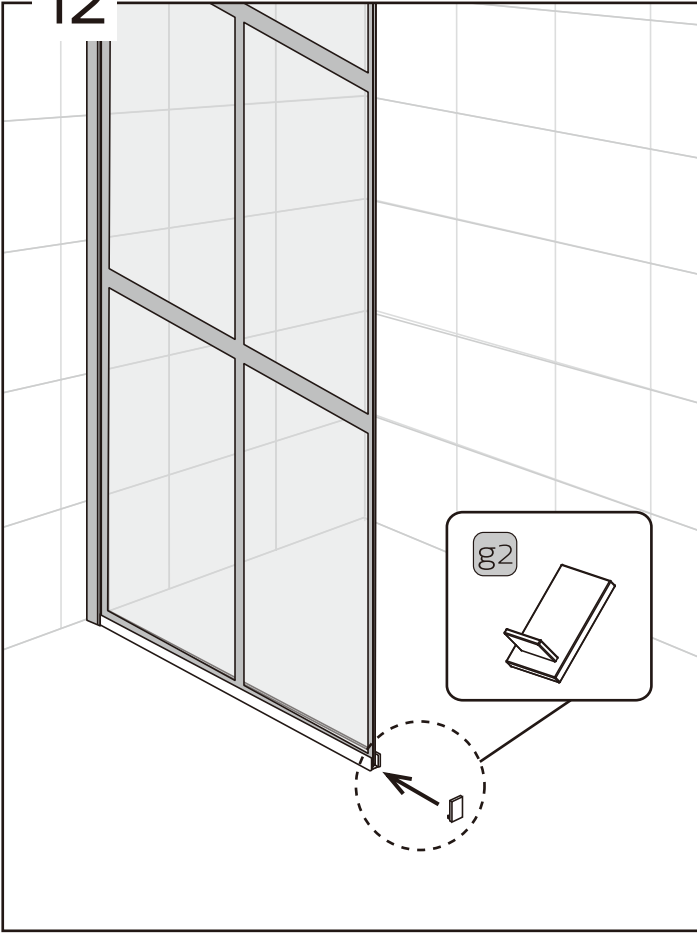
# 10B



# 11B



12



13

